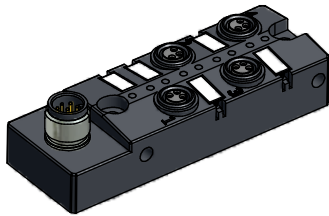
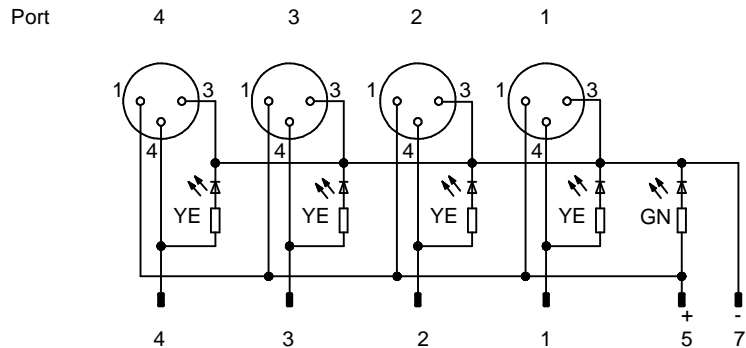
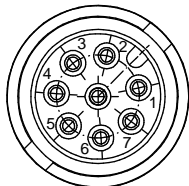


Technical specification:

- Rated voltage: max. 30 V
 - Current rating: 2A signal contact, total ampacity max. 3A
 - Insulation resistance: IEC 60512 >=100 MΩ
 - Pollution degree: IEC 60664-1 3/2
 - Degree of protection: IEC 60529 IP 67, in mated condition
 - Temperature range: IEC 60664-1 -20°C ... +80°C (unmoved)
 - Mating cycles: IEC 60512-9a >=100
- Materials:**
- Contact: CuZn
 - Contact plating: Nickel, gold plated
 - Contact carrier: PBT, UL 94
 - Sealing: FPM
 - Housing: PBT GF, UL 94 similar to RAL 7024
 - Grouting: Polyurethane-resin, UL 94

Pin-Configuration M12x1



Part No:	Description:
42-05010	SAL - 8 - 4FK3 - 5L

DO NOT ALTER CAD DRAWING BY HAND Directive 2002/95/EC RoHS compliant	Index: a 23.08.11 VF Ä3941 data sheet revised		dim. in mm	title: Junction box M8x1 with connector M12x1, plastic housing						
	tolerance of cable:				<table border="1"> <tr> <td>date</td> <td>name</td> </tr> <tr> <td>18.06.08</td> <td>Fromm</td> </tr> <tr> <td>20.06.08</td> <td>W.Schmidt</td> </tr> </table>	date	name	18.06.08	Fromm	20.06.08
	date	name								
	18.06.08	Fromm								
20.06.08	W.Schmidt									
general tolerance:			dwg no: 42K1A082							
0 ± 0,50mm 0,0 ± 0,25mm 0,00 ± 0,10mm			part no: see table							
<small>THIS DRAWING MAY NOT BE COPIED OR REPRODUCED IN ANY WAY, AND MAY NOT BE PASSED ON TO A THIRD PARTY WITHOUT WRITTEN PERMISSION. OWNERSHIP AND COPYRIGHT OF CONEC GmbH</small>										